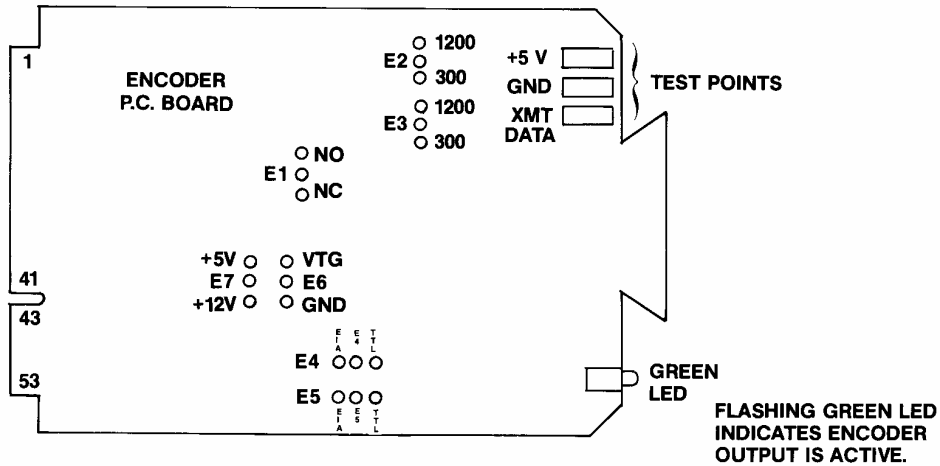


ENCODER PE 201-21



- E1**—Sets all alarm inputs for normally open or normally closed operation.
- E2, E3**—Sets data rate to 300 or 1200 baud.
- E4, E5**—Sets transmitted data (XMT data) to E1A standard No. EIA-232C (+12V, -12V signal levels) or TTL (+5V, 0V signal levels).
- E6**—Sets request to send (RTS) to a positive voltage level or ground.
- E7**—When E6 is set for a positive voltage, this jumper selects either +5V or +12V.

**ENCODER
56-PIN
CONN.
PIN NOS.**

1	—TIME SLOT	1
↓	↓	
48	—TIME SLOT	48
49		
50	—RTS +5 or +12V	
51		
52	—XMT DATA	
53		
54	—+12V	
55		
56	—GND	

PE 201-21 ENCODER SPECIFICATIONS

- INPUTS:** Up to 48 input points are accepted. Inputs can be open collectors or contact closures to signal common.
- DATA RATE:** 300/1200 Baud (Selectable by Plug Jumper).
- ENCODER CARD OSCILLATOR:** 3.6864 MHz, crystal-controlled.
- CODE FORMAT:** Asynchronous, 1 start bit, 7 data bits (4 address bits and 3 contact state bits), and 1 stop bit.
- TIME FOR SCAN:** .52 seconds for 300baud) / .13 seconds for 1200 baud.
- ENCODER INDICATOR:** A flashing green LED indicates that the encoder is active.
- OUTPUT:** The output is RS-232C compatible +12 -12 volt signal levels.
- POWER REQUIREMENTS:** 11 to 13 Vdc, 125 mA, with 5% or better regulation.
- SIZE:** 4½" x 6½" P.C. board.
- OPERATING TEMPERATURE:** 0 to 50 degrees C. (Consult factory for wider temperature range).
- INPUT LOOP RESISTANCE:** 1000 ohms maximum. (3 miles of No. 24 AWG wire).

Specifications subject to change without notice.